

Q3/2024 PARTS PROMOTIONS

It's all about Sustainability



Extend your hydraulic oil lifetime

Thanks to the Konecranes Hydraulic Long-Life filter, you can safely extend the life of your hydraulic oil up to 12,000 working hours.

That's nearly three times longer than traditional filters; a feature that translates into a lot less oil waste reduces your harm to the environment, less downtime and more cost savings for your operations.



Hydraulic Long-Life filter

How do you know when it's the right time to change your hydraulic oil?

Upgrading to TRUCONNECT Premium+ you can monitor the status and extend the life of your hydraulic oil, making sure to change it only when it's really needed.

The filter can be retrofitted to any Konecranes forklift, container handler or reach stacker.

How to order

Send the lift truck's serial number(s) to your Konecranes Lift Trucks distributor to get the offer of the complete package with a **20% extra discount** for orders placed within September 2024.

PARTS PROMOTIONS

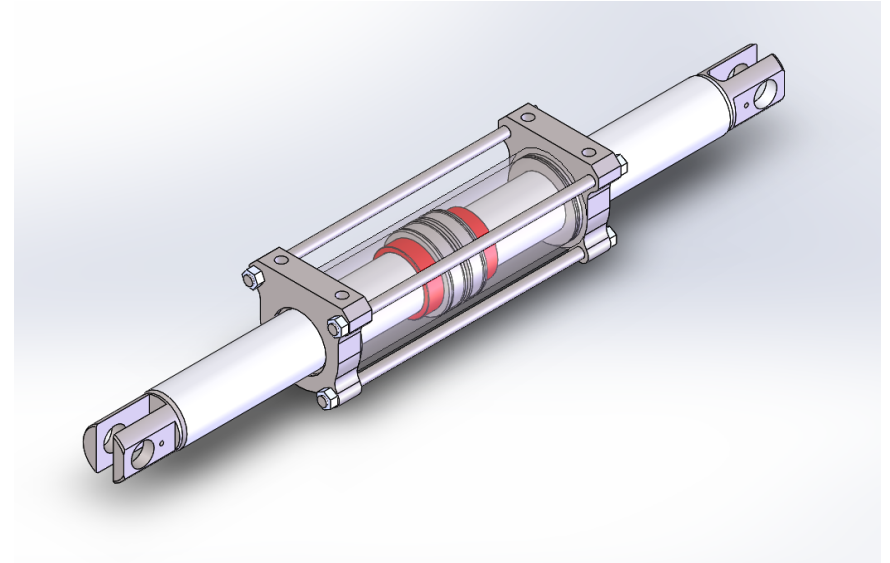
Lifetime Advantage parts promotions encourage you to stock up on genuine Konecranes parts to ensure the maximum reliability and performance of your Konecranes lift trucks. Designed for Konecranes equipment, they can be guaranteed to meet or exceed all required standards.

[Order now](#)

Make your tires last longer

Steering wheels tire wear is one of the highest maintenance costs in lift truck operation. And rubber waste is between the worst for our environment. With Konecranes Tire Saver solution you get more mileage out of your tires by increasing your truck's turning radius, if you don't need to maneuver in tight spaces on a daily basis.

With one kit you boost productivity, reduce rubber waste and tire replacement intervals (lower costs).



Tire Saver

How does it work?

It's a mechanical kit installed into the truck's steering cylinder. It limits the steering cylinder stroke, resulting in a larger turning radius but longer tire life.

It can be retrofitted into any Konecranes forklift, container handler or reach stacker.

How to order

Send the lift truck's serial number(s)* to your Konecranes Lift Trucks distributor to get an offer with a **20% extra discount** for orders placed within September 2024.

[Order now](#)

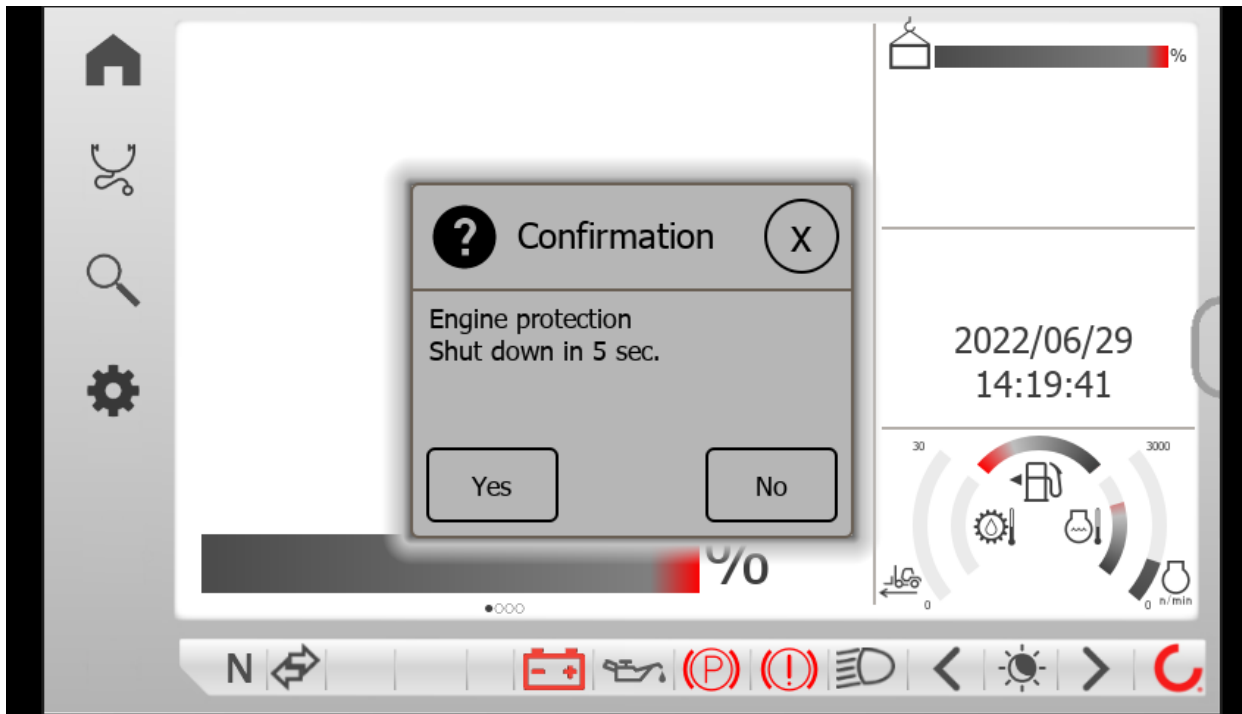
GET YOUR LIFETIME ADVANTAGE

After you purchase a Konecranes lift truck, we offer you far more than just after-sales service. You can get resources for truck maintenance, fleet management, investment growth and safety enhancements, all backed up by a dependable support network. Because this is available to you for the entire life cycle of your equipment, we call it the Konecranes Lifetime Advantage. It's a better experience.

Let the control system protect your engine

In addition to the “Start and Stop” function when your truck is idling or the operator exits the cabin, you can now decide to shut down your engine when the engine temperature and engine oil pressure are in high/low values.

The control system is sending an alert to the driver who can decide whether to keep on running or better stop the engine/operation. This will increase engine lifetime, while minimizing downtime costs and activities and avoid extra emissions.



Extra engine shut down

When activated, the control system acts on the engine temperature and engine oil pressure.

Through a pop-up window, the operator can select between turning off the engine or keeping it running. It can be fitted on all Konecranes Generation C forklifts and empty container handlers equipped with MD4 master display.

How to order

Send the lift truck's serial number(s) to your Konecranes Lift Trucks distributor to get an offer of the complete package with a **20% extra discount** for orders placed within September 2024.

[Order now](#)




Contact us

Contact your closest Konecranes Lift Trucks distributor and place your order within the end **September 2024** to benefit of an extra discount* on the campaign parts.

Send the lift truck's serial number(s) to your Konecranes Lift Trucks distributor to get the complete offer of the each package.

*discount applied only on day orders and not cumulated with other ongoing offers/discounts

[Order now](#)

© 2024 Konecranes. All rights reserved. 'Konecranes', 'Moves what matters' and  are either registered trademarks or trademarks of Konecranes.

This publication is for general informational purposes only. Konecranes reserves the right at any time, without notice, to alter or discontinue the products and/or specifications referenced herein. This publication creates no warranty on the part of Konecranes, express or implied, including but not limited to any implied warranty or merchantability or fitness for a particular purpose.